

LANTERN™ 2

PENDANT

THE SLIP-CAST PORCELAIN FORMS OF THE LANTERN SERIES FLOAT ALONG A RIGID BRASS STRUCTURE. THEIR GLOW IS PUNCTUATED BY FINELY INCISED FLUTING, CONNECTING TO THE MOST ESSENTIAL ELEMENT OF HISTORICAL LANTERNS - LIGHT PASSING THROUGH A DELICATE PROTECTIVE FORM. REPEATING SPHERES ACT AS A COUNTERPOINT TO THE SIZEABLE SHADES.

A P P A R A T U S

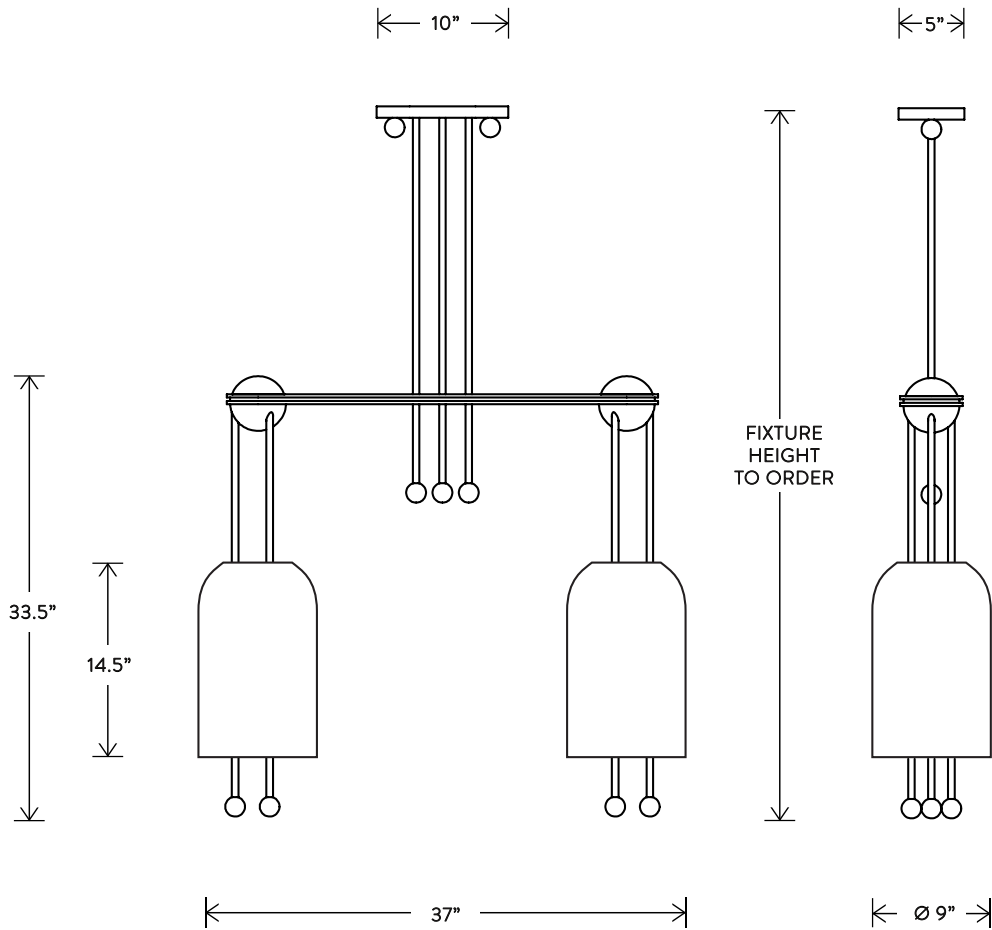
LANTERN™ 2

PENDANT

DIMENSIONS: 37" W, 9" D
HEIGHT TO ORDER
MINIMUM HEIGHT: 44"
INCLUDES UP TO 85"
APPROXIMATE WEIGHT: 75 LBS

LAMPING: MAX 60W EACH
6 DIMMABLE LED BULBS INCLUDED
120V: E12 TYPE A26 BULBS, 4.6W
240V: E14 TYPE B40 BULBS, 8W

UL / CE APPROVED
VOLTAGE: 120-240



A P P A R A T U S



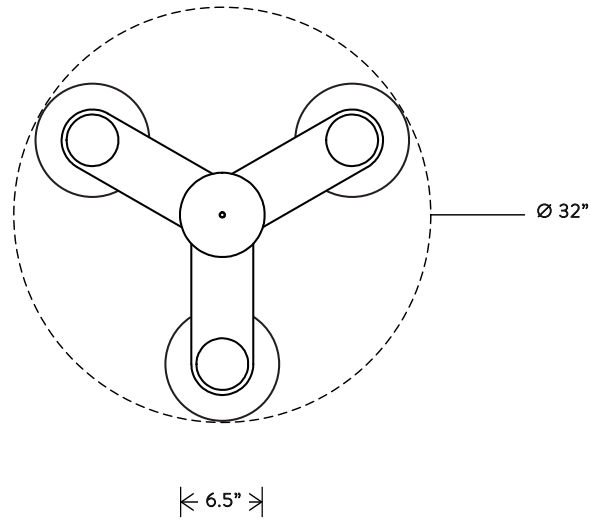
LANTERN™ 3 PENDANT

THE SLIP-CAST PORCELAIN FORMS OF THE LANTERN SERIES FLOAT ALONG A RIGID BRASS STRUCTURE. THEIR GLOW IS PUNCTUATED BY FINELY INCISED FLUTING, CONNECTING TO THE MOST ESSENTIAL ELEMENT OF HISTORICAL LANTERNS - LIGHT PASSING THROUGH A DELICATE PROTECTIVE FORM. REPEATING SPHERES ACT AS A COUNTERPOINT TO THE SIZEABLE SHADES.

A P P A R A T U S

LANTERN™ 3

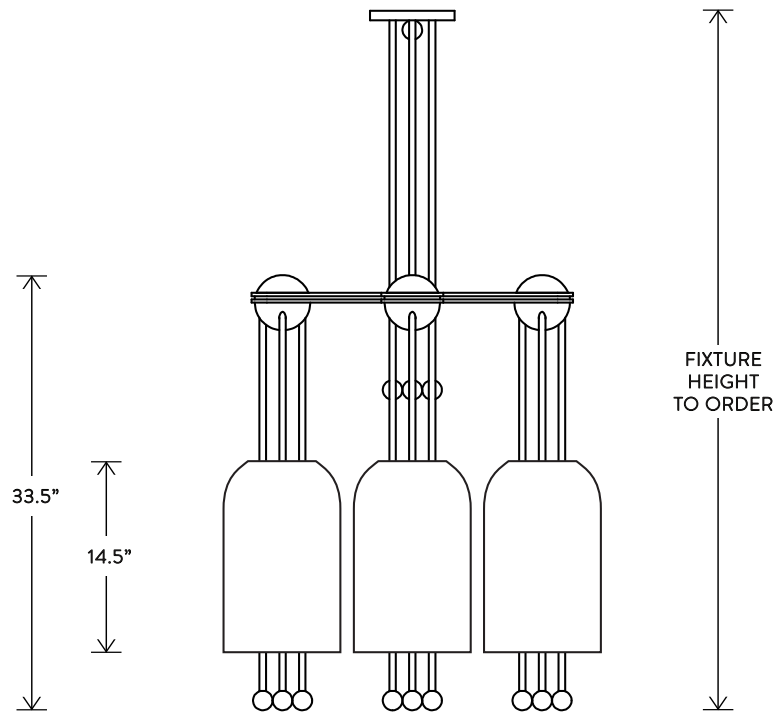
PENDANT



DIMENSIONS: Ø 32"
WEIGHT: APPROX. 100 LBS
HEIGHT TO ORDER
MINIMUM HEIGHT: 44"
INCLUDES UP TO 85"
APPROXIMATE WEIGHT: 100 LBS

LAMPING: MAX 60W EACH
9 DIMMABLE LED BULBS INCLUDED
120V: E12 TYPE A26 BULBS, 4.6W
240V: E14 TYPE B40 BULBS, 8W

UL / CE APPROVED
VOLTAGE: 120-240



A P P A R A T U S



LANTERN™ 1

PENDANT

THE SLIP-CAST PORCELAIN FORMS OF THE LANTERN SERIES FLOAT ALONG A RIGID BRASS STRUCTURE. THEIR GLOW IS PUNCTUATED BY FINELY INCISED FLUTING, CONNECTING TO THE MOST ESSENTIAL ELEMENT OF HISTORICAL LANTERNS - LIGHT PASSING THROUGH A DELICATE PROTECTIVE FORM. REPEATING SPHERES ACT AS A COUNTERPOINT TO THE SIZEABLE SHADES.

A P P A R A T U S

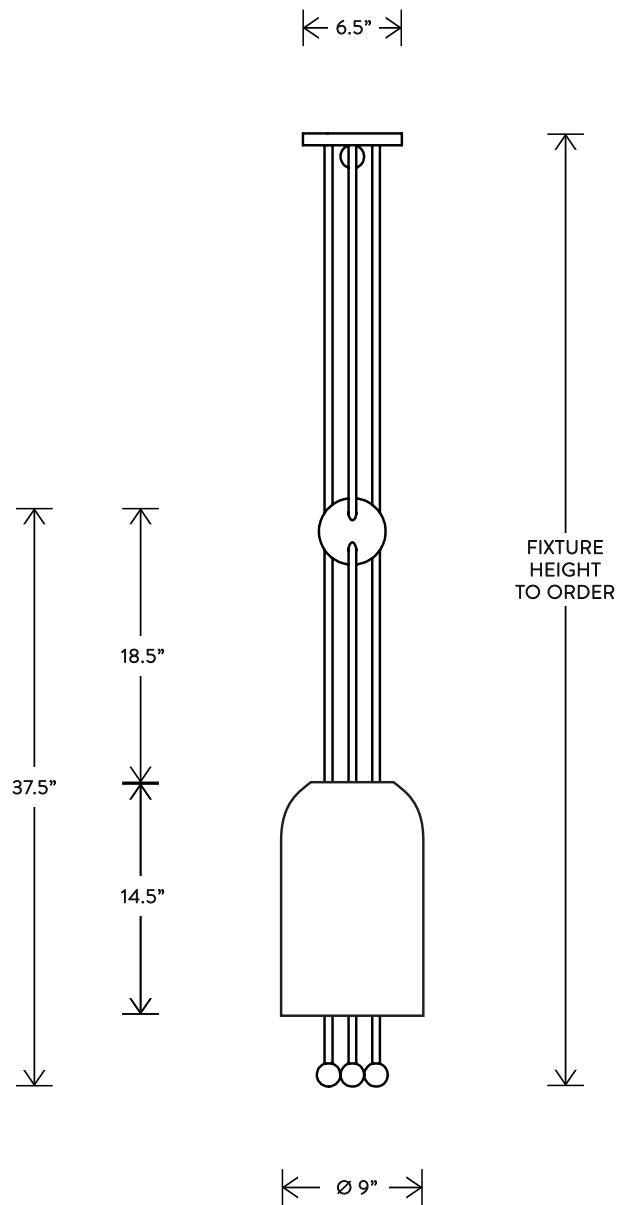
LANTERN™ 1

PENDANT

DIMENSIONS: Ø 9"
HEIGHT TO ORDER
MINIMUM HEIGHT: 31"
INCLUDES UP TO 60"
APPROXIMATE WEIGHT: 20 LBS

LAMPING: MAX 60W EACH
3 DIMMABLE LED BULBS INCLUDED
120V: E12 TYPE A26 BULBS, 4.6W
240V: E14 TYPE B40 BULBS, 8W

UL / CE APPROVED
VOLTAGE: 120-240



A P P A R A T U S